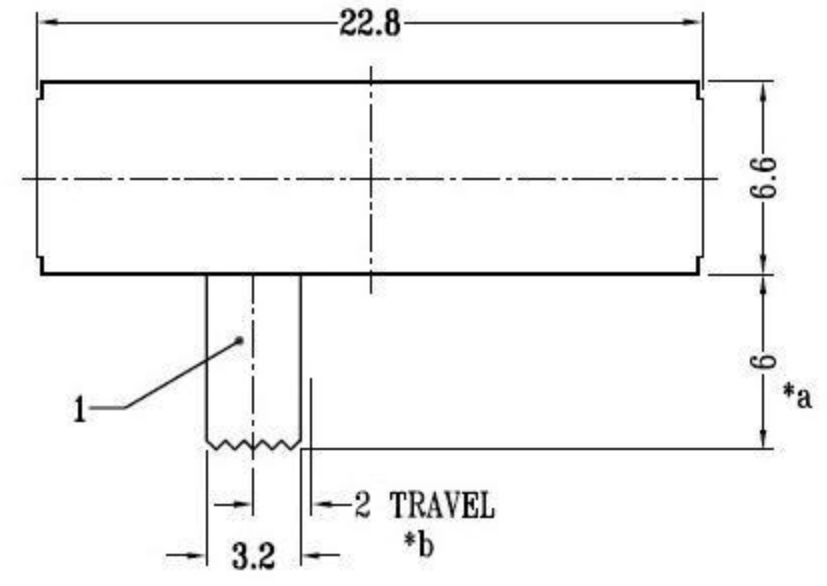
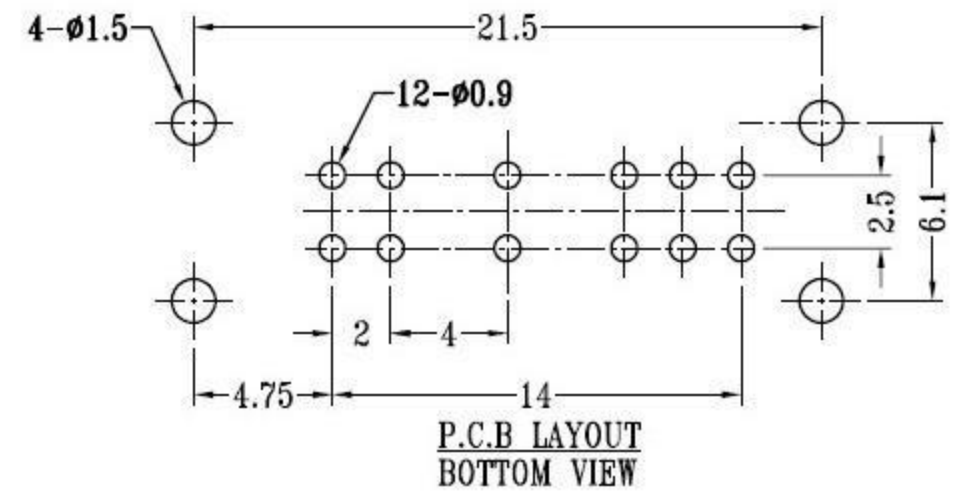
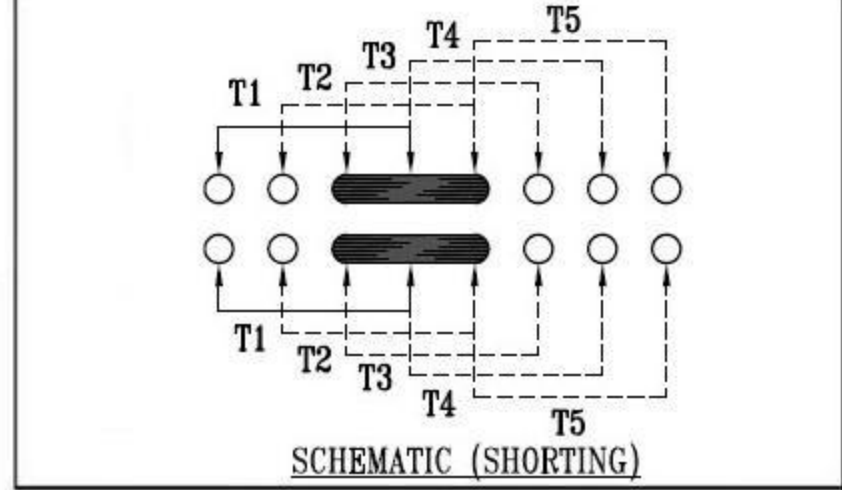
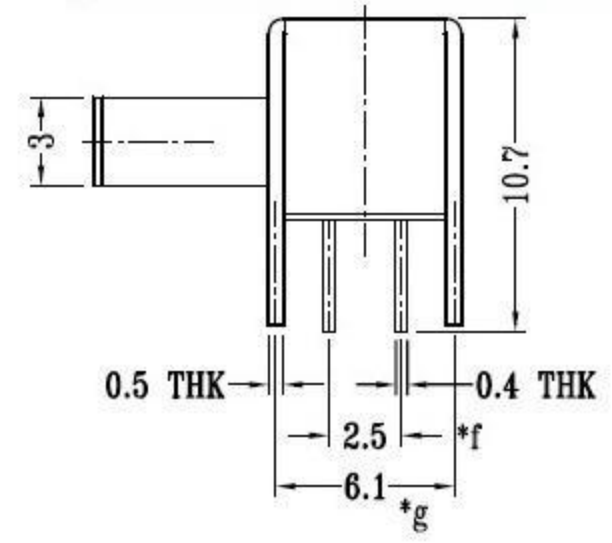
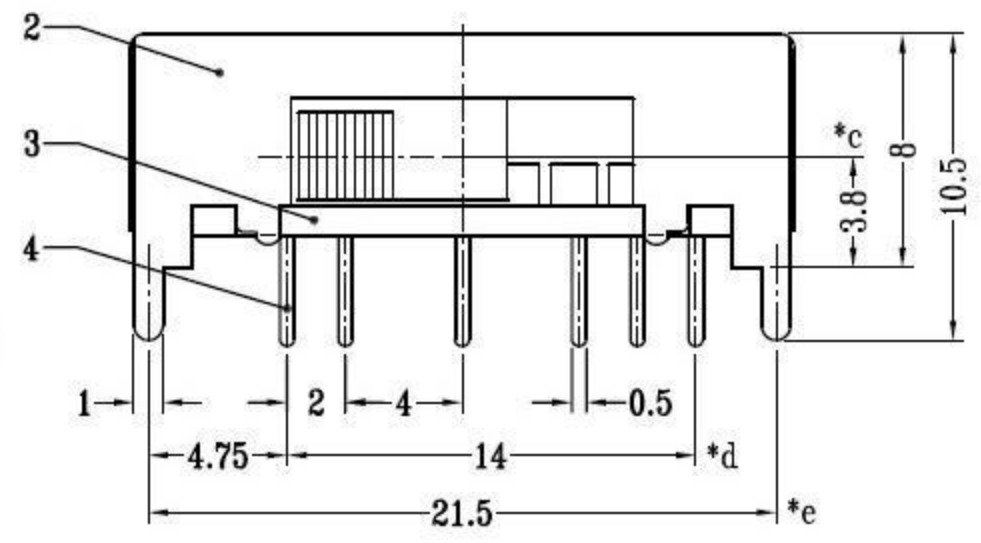


CAD FILE:

所有物质均符合环保要求



注：“\*”表示关键尺寸（7个）。

手柄X位置，与操作力按照用户需求定制！

8					TOLERANCE UNLESS SPECIFIED					
7	STEEL BALL	STEEL	2	NATURAL	WITHIN		A	2010-01-02	初版	
6	SPRING	STEEL WIRE	1	NATURAL	OVER		ISSUE	DATE	DESCRIPTIONS OF REVISION	
5	CONTACT CLIP	PBS STRIP	2	Ag PLATED	TITLE : SLIDE SWITCH				UNIT : mm	DRWG NO.:
4	TERMINAL	BRASS STRIP	8	Ag PLATED	MODEL:				SCALE: 2:1	DWN.
3	BASE	PHENOLIC RESIN	1	NATURAL	东莞市高迪电子有限公司				CHK'D	2010-01-02
2	FRAME	STEEL STRIP	1	Ni PLATED					APPD.	2010-01-02
1	KNOB	POM	1	BLACK						
NO.	PARTS	MATERIALS	Q'TY	FINISH						